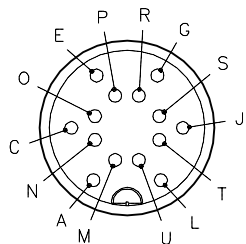



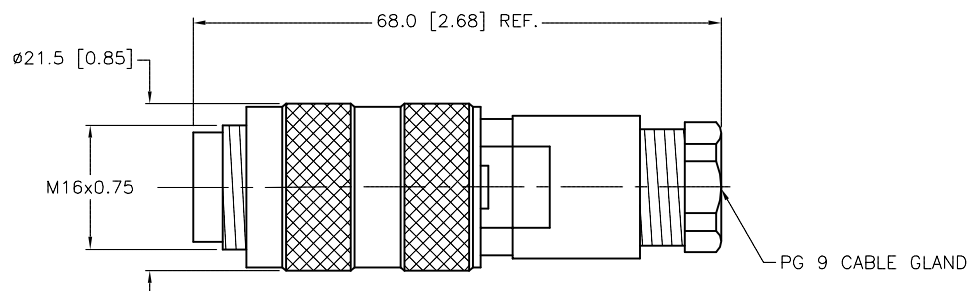
MALE END VIEW




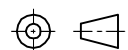
 M16 connector

SPECIFICATIONS

CONTACT CARRIER MATERIAL	PBT
CONTACT MATERIAL/PLATING	COPPER ALLOY/GOLD
HOUSING MATERIAL	NYLON
COUPLING NUT MATERIAL	BRASS
RATED CURRENT [A]	3.0 A
RATED VOLTAGE [V]	60 V AC/DC
TEMPERATURE RANGE	-40°C to +95°C [-40°F to +203°F]
PROTECTION CLASS	MEETS IEC IP67
CABLE GLAND	PG 9 - ACCEPTS 6-8mm CABLE
TERMINATION TYPE	SOLDER CUP



SOURCE DRAWING - FOR REFERENCE ONLY

RELATED DOCUMENTS		3RD ANGLE PROJECTION		THIS DRAWING IS CONFIDENTIAL AND THE PROPERTY OF TURCK INC. USE OF THIS DOCUMENT WITHOUT WRITTEN PERMISSION IS PROHIBITED.		 3000 CAMPUS DRIVE MINNEAPOLIS, MN 55441 1-800-544-7769 (763) 553-7300 (763) 553-0708 fax turck.com	
1. 2. 3. 4.				DRFT RDS	DATE 04/05/16	DESCRIPTION BS 14-0	
MATERIAL SEE SPECIFICATIONS		ALL DIMENSIONS DISPLAYED ON THIS DRAWING ARE FOR REFERENCE ONLY		APVD M.B.	SCALE 1=1.0	IDENTIFICATION NO. U2-07157	
FINISH SEE SPECIFICATIONS		CONTACT TURCK FOR MORE INFORMATION		UNIT OF MEASUREMENT MILLIMETER [INCH]		REV A	
A DRAWING RELEASE		RDS 05/19/16		DO NOT SCALE THIS DRAWING		FILE: U2-07157	
REV	DESCRIPTION	BY	DATE	ECO NO.	SHEET 1 OF 1		